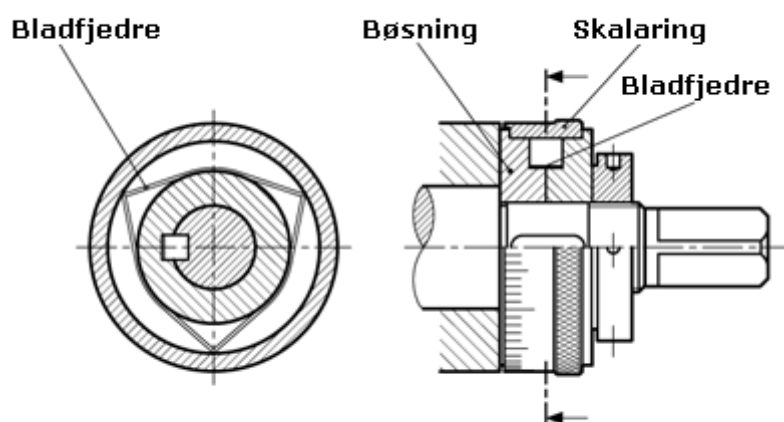


Article number: 2026440MCR  
Description: E+G GN 264  
outside diameter 40 mm, 32 mm bore

## Measures

---



|                   |        |
|-------------------|--------|
| Bore              | = -    |
| External diameter | = 40   |
| Handle diameter   | = 43   |
| Internal diameter | = 32   |
| Item              | = -    |
| Item              | = -    |
| Item              | = -    |
| Length            | = 23.7 |